



FOOD ENERGY EFFICIENT
EURONEO FOOD ENERGY AND RECYCLE PVT. LTD.

PLASTIC WASTE RECYCLE TO DIESEL

EURONEO FOOD ENERGY AND RECYCLE PVT. LTD.

WWW.EUROENERGYNRECYCLE.COM



FOOD ENERGY EFFICIENT
EURONEO FOOD ENERGY AND RECYCLE PVT. LTD.

PLASTIC WASTE

DISTILLED



BASE OIL

DISTILLED



DIESEL

WWW.EUROENERGYNRECYCLE.COM



FOOD ENERGY EFFICIENT
EURONEO FOOD ENERGY AND RECYCLE PVT. LTD.

PLASTIC WASTE TO BASE OIL PLANT 500 KG/BATCH

INPUT - PLASTIC WASTE

- PP (POLYPROPYLENE)
- PS (POLYSTYRENE)
- PE (POLYETHYLENE)
- HDPE (HIGH-DENSITY POLYETHYLENE).

.....

OUT PUT - BASE OIL 50 %

- INDUSTRIAL FUEL 10,000-12,000 KCAL/KG

CARBON BLACK 10-20%

- CEMENT/PAINT/BINDER/
ARTIFICIAL RUBBER.



FOOD ENERGY EFFICIENT
EURONEO FOOD ENERGY AND RECYCLE PVT. LTD.

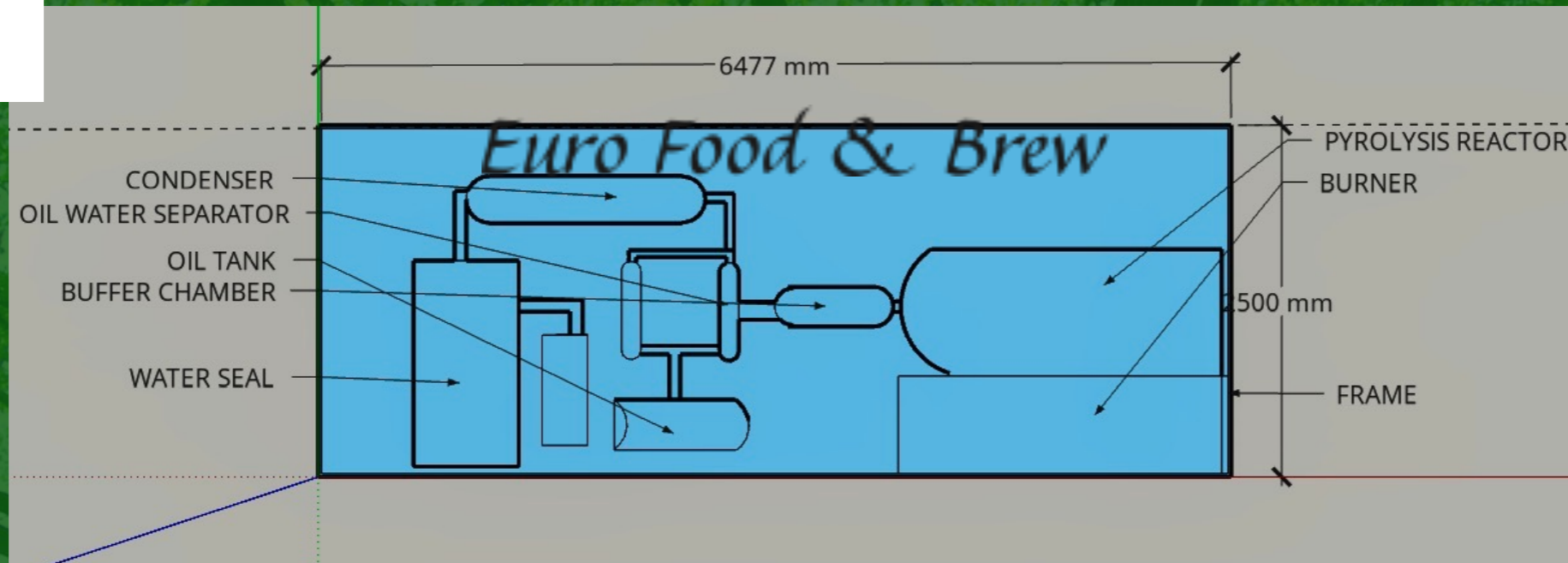
PLASTIC WASTE TO BASE OIL PLANT 500 KG/BATCH

- CAPACITY** - 500 KG / BATCH.
- COMPONENT**
- REACTOR (HEATED BY OIL BASED BURNER)
 - HORIZONTAL CONDENSER
 - OIL SEPARATOR
 - WATER SEAL
 - CONTROL PANNEL/PUMP/MOTOR.
- FEATURE**
- FRAME MOUNTED/PORTABLE (6M X 2.5M X 2.5M) LWH
 - TOTAL WEIGHT 300 KG
 - MATERIAL - MS/Q245R.
- OPERATION**
- UTILITY - 3 PH ELECT /WATER CONNECTION
 - ELECT - 6 KW
 - BATCH TIME - 6-8 HR.



FOOD ENERGY EFFICIENT
EURONEO FOOD ENERGY AND RECYCLE PVT. LTD.

PLASTIC WASTE TO BASE OIL PLANT 500 KG/BATCH



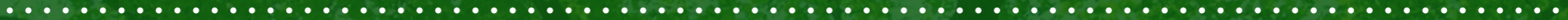


FOOD ENERGY EFFICIENT
EURONEO FOOD ENERGY AND RECYCLE PVT. LTD.

BASE OIL TO DIESEL DISTILLATION PLANT 500 LTR / BATCH

INPUT

- **BASE OIL FROM PLASTIC WASTE.**



OUT PUT

- **DIESEL 85 %
“(HEAVY VEHICLE, AGRI VEHICLE,
INDUSTRIAL & MERINE ENGINE)”.**
- **ASPHALT 10-15%
(WASTE PROOF ,PAVNG ROAD).**



FOOD ENERGY EFFICIENT
EURONEO FOOD ENERGY AND RECYCLE PVT. LTD.

BASE OIL TO DIESEL DISTILLATION PLANT 500 LTR / BATCH

CAPACITY - **500 LTR / BATCH.**

COMPONENT

- **DISTILLATION REACTOR**
- **HORIZONTAL CONDENSER**
- **CATALYST REACTOR**
- **WATER SEAL**
- **CONTROL PANNEL/PUMP/MOTOR.**

FEATURE

- **FRAME MOUNTED/PORTABLE (6M X 2.2M X 2.5M) LWH**
- **TOTAL WEIGHT 400 KG**
- **MATERIAL - MS/Q245R.**

OPERATION

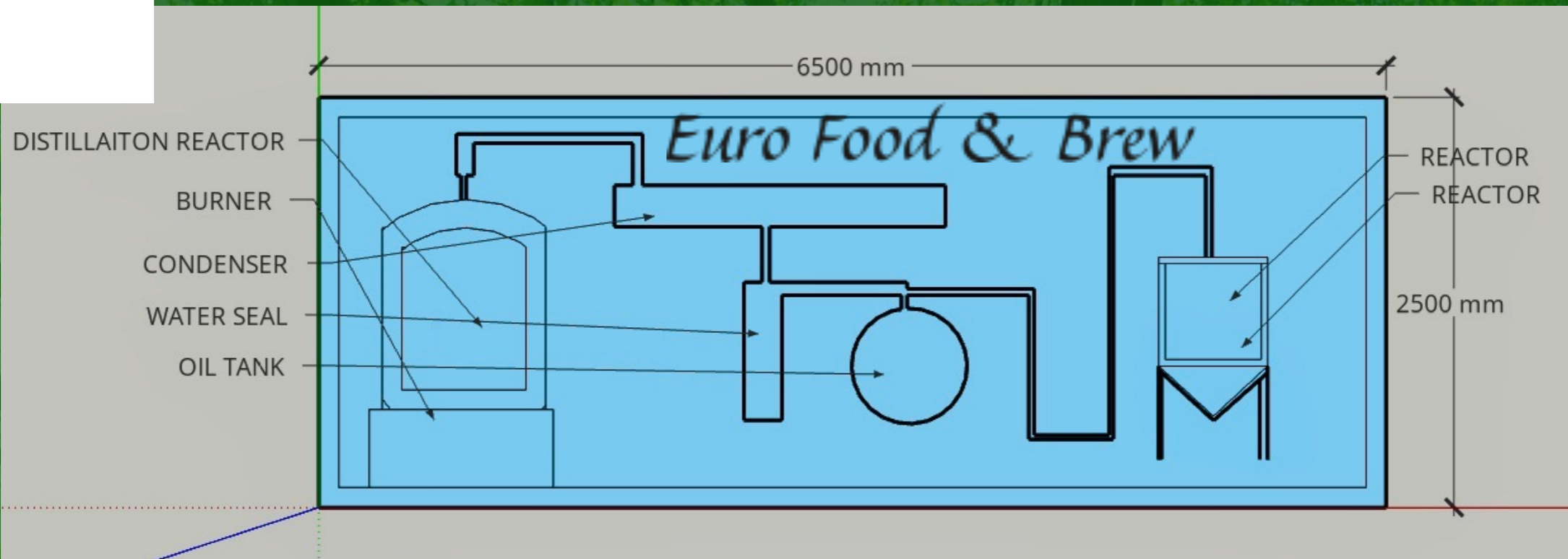
- **UTILITY - 3 PH ELECT /WATER CONNECTION**
- **ELECT : 9 KW**
- **BATCH TIME - 4-5 HR.**

WWW.EUROENERGYNRECYCLE.COM



FOOD ENERGY EFFICIENT
EURONEO FOOD ENERGY AND RECYCLE PVT. LTD.

BASE OIL TO DIESEL DISTILLATION PLANT 500 LTR / BATCH





FOOD ENERGY EFFICIENT
EURONEO FOOD ENERGY AND RECYCLE PVT. LTD.

CONTACT DETAILS

BIBHU DAS

MOB : +91-93735 09311

E MAIL : BIBHU@EUROENERGYNRECYCLE.COM

**MARKETING OFFICE - INDIA - PUNE- 2ND FLOOR, PURANDAR, HADAPSAR-SASWAD
ROAD, PUNE- 412308**

MANUFACTURING - PUNE - MIDC(S BLOCK), BHOSRI,PUNE- 411026

7

WWW.EUROENERGYNRECYCLE.COM